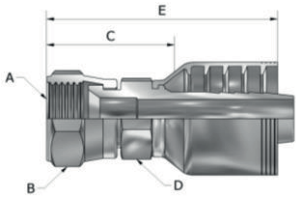


DC404 SERIES(Female JIC 37° Swivel Straight)

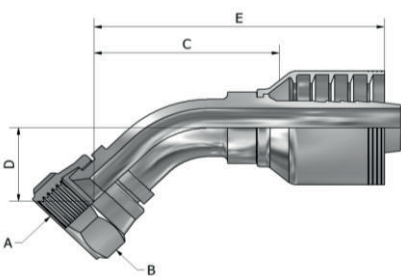
USI



PART NUMBER	Products Description									
	Hose In-Dia	Thread UNF	Nut Hex		Tail-Growth		Nipple Hex		Overall length	
			MM	Inch	MM	Inch	MM	Inch	MM	Inch
			B		C		D		E	
A										
DC404-07-06	3/8	7/16-20	14.3	0.56	30.8	1.21	17.5	0.69	45.8	1.80
DC404-08-08	1/2	1/2-20	15.9	0.62	34.1	1.34	20.6	0.81	64.5	2.54
DC404-09-06	3/8	9/16-18	17.5	0.69	33.3	1.31	17.5	0.69	57.1	2.25
DC404-09-08	1/2	9/16-18	17.5	0.69	33.3	1.31	20.6	0.81	63.7	2.51
DC404-12-06	3/8	3/4-16	22.2	0.87	36.2	1.43	17.5	0.69	60.1	2.37
DC404-12-08	1/2	3/4-16	22.2	0.87	38.9	1.53	20.6	0.81	69.3	2.73
DC404-12-10	5/8	3/4-16	22.2	0.87	37.6	1.48	23.8	0.94	69.1	2.72
DC404-12-12	3/4	3/4-16	22.2	0.87	35.4	1.39	27.0	1.06	71.8	2.83
DC404-14-06	3/8	7/8-14	25.4	1.00	41.8	1.65	22.2	0.87	65.6	2.58
DC404-14-08	1/2	7/8-14	25.4	1.00	41.8	1.65	22.2	0.87	72.2	2.84
DC404-14-10	5/8	7/8-14	25.4	1.00	40.5	1.59	23.8	0.94	72.0	2.83
DC404-14-12	3/4	7/8-14	25.4	1.00	37.9	1.49	27.0	1.06	74.4	2.93
DC404-17-06	3/8	1-1/16-12	31.8	1.25	43.4	1.71	27.0	1.06	67.2	2.65
DC404-17-08	1/2	1-1/16-12	31.8	1.25	40.1	1.58	27.0	1.06	70.5	2.78
DC404-17-10	5/8	1-1/16-12	31.8	1.25	44.9	1.77	27.0	1.06	76.4	3.01
DC404-17-12	3/4	1-1/16-12	31.8	1.25	44.1	1.74	27.0	1.06	80.5	3.17
DC404-17-16	1"	1-1/16-12	31.8	1.25	46.7	1.84	35.0	1.38	90.6	3.57
DC404-19-12	3/4	1-3/16-12	36.0	1.42	44.7	1.76	31.8	1.25	81.1	3.19
DC404-21-12	3/4	1-5/16-12	38.0	1.50	47.0	1.85	31.8	1.25	83.4	3.28
DC404-21-16	1"	1-5/16-12	38.0	1.50	49.3	1.94	35.0	1.38	93.1	3.67
DC404-21-20	1-1/4	1-5/16-12	38.0	1.50	53.9	2.12	47.6	1.87	96.4	3.80
DC404-26-16	1"	1-5/8-12	50.0	1.97	55.2	2.17	41.3	1.62	99.1	3.90
DC404-26-20	1-1/4	1-5/8-12	50.0	1.97	58.2	2.29	47.6	1.87	100.7	3.96
DC404-30-20	1-1/4	1-7/8-12	55.0	2.17	61.3	2.41	54.0	2.13	103.8	4.09
DC404-30-24	1-1/2	1-7/8-12	55.0	2.17	63.1	2.48	54.0	2.13	118.3	4.66
DC404-40-32	2"	2-1/2-12	73.0	2.87	79.8	3.14	63.5	2.50	137.7	5.42

DC444 SERIES(Female JIC 37° Swivel 45° Elbow)

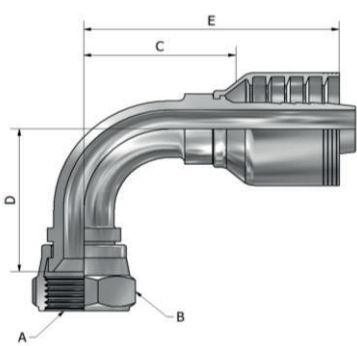
USI



PART NUMBER	Products Description									
	Hose In-Dia	Thread UNF	Nut Hex		Tail-Growth		Drop		Overall length	
			MM	Inch	MM	Inch	MM	Inch	MM	Inch
			B		C		D		E	
A										
DC444-08-08	1/2	1/2-20	15.9	0.62	35.8	1.41	10.0	0.39	66.2	2.61
DC444-09-06	3/8	9/16-18	17.5	0.69	34.5	1.36	11.0	0.43	58.3	2.30
DC444-12-06	3/8	3/4-16	22.2	0.87	37.5	1.48	14.0	0.55	61.3	2.41
DC444-12-08	1/2	3/4-16	22.2	0.87	41.4	1.63	15.0	0.59	71.8	2.83
DC444-14-06	3/8	7/8-14	25.4	1.00	41.5	1.63	15.0	0.59	65.3	2.57
DC444-14-08	1/2	7/8-14	25.4	1.00	41.4	1.63	15.0	0.59	71.8	2.83
DC444-14-10	5/8	7/8-14	25.4	1.00	45.5	1.79	16.0	0.63	77.0	3.03
DC444-17-06	3/8	1-1/16-12	31.8	1.25	42.7	1.68	19.2	0.76	66.5	2.62
DC444-17-08	1/2	1-1/16-12	31.8	1.25	48.1	1.89	20.0	0.79	78.4	3.09
DC444-17-10	5/8	1-1/16-12	31.8	1.25	57.0	2.24	21.0	0.83	88.5	3.48
DC444-17-12	3/4	1-1/16-12	31.8	1.25	63.0	2.48	27.0	1.06	99.4	3.91
DC444-21-12	3/4	1-5/16-12	38.1	1.50	58.7	2.31	24.0	0.94	95.1	3.74
DC444-21-16	1"	1-5/16-12	38.1	1.50	77.3	3.04	33.0	1.30	121.2	4.77
DC444-21-16H41	1"	1-5/16-12	41.0	1.61	77.3	3.04	33.0	1.30	121.2	4.77
DC444-26-16	1"	1-5/8-12	50.0	1.97	86.3	3.40	40.0	1.57	130.2	5.13
DC444-26-20	1-1/4	1-5/8-12	50.0	1.97	103.8	4.09	45.0	1.77	146.3	5.76
DC444-30-24	1-1/2	1-7/8-12	55.0	2.17	126.0	4.96	52.0	2.05	181.2	7.13
DC444-40-24	1-1/2	2-1/2-12	73.0	2.87	125.3	4.93	52.0	2.05	180.5	7.11
DC444-40-32	2"	2-1/2-12	73.0	2.87	148.6	5.85	55.7	2.19	206.5	8.13

DC494 SERIES(Female JIC 37° Swivel 90° Elbow)

USI



PART NUMBER	Products Description									
	Hose In-Dia	Thread UNF	Nut Hex		Tail-Growth		Drop		Overall length	
			MM	Inch	MM	Inch	MM	Inch	MM	Inch
			B		C		D		E	
A										
DC494-07-06	3/8	7/16-20	14.3	0.56	30.1	1.19	21.0	0.83	53.9	2.12
DC494-08-06	3/8	1/2-20	15.9	0.62	30.1	1.19	24.0	0.94	53.9	2.12
DC494-09-06	3/8	9/16-18	17.5	0.69	31.1	1.22	23.0	0.91	54.9	2.16
DC494-09-06B	3/8	9/16-18	17.5	0.69	27.1	1.07	23.0	0.91	50.9	2.00
DC494-09-06D30	3/8	9/16-18	17.5	0.69	31.1	1.22	30.0	1.18	54.9	2.16
DC494-09-06D35	3/8	9/16-18	17.5	0.69	31.1	1.22	35.0	1.38	54.9	2.16
DC494-09-06D55	3/8	9/16-18	17.5	0.69	31.1	1.22	55.0	2.17	54.9	2.16
DC494-09-06D75	3/8	9/16-18	17.5	0.69	31.1	1.22	75.0	2.95	54.9	2.16
DC494-12-06	3/8	3/4-16	22.2	0.87	31.1	1.22	28.0	1.10	54.9	2.16
DC494-12-06B	3/8	3/4-16	22.2	0.87	27.1	1.07	24.0	0.94	50.9	2.00
DC494-12-06D62	3/8	3/4-16	22.2	0.87	41.1	1.62	62.0	2.44	64.9	2.56
DC494-12-08	1/2	3/4-16	22.2	0.87	35.2	1.39	31.0	1.22	65.6	2.58
DC494-12-08B	1/2	3/4-16	22.2	0.87	32.8	1.29	28.5	1.12	63.2	2.49
DC494-12-08D62	1/2	3/4-16	22.2	0.87	45.2	1.78	62.0	2.44	75.6	2.98
DC494-12-10	5/8	3/4-16	22.2	0.87	39.7	1.56	31.0	1.22	71.2	2.80
DC494-14-06	3/8	7/8-14	25.4	1.00	34.1	1.34	27.4	1.08	57.9	2.28
DC494-14-06B	3/8	7/8-14	25.4	1.00	32.8	1.29	29.4	1.16	56.6	2.23
DC494-14-08	1/2	7/8-14	25.4	1.00	35.2	1.39	31.0	1.22	65.6	2.58
DC494-14-08B	1/2	7/8-14	25.4	1.00	32.8	1.29	29.4	1.16	63.2	2.49
DC494-14-08D47	1/2	7/8-14	25.4	1.00	35.2	1.39	47.0	1.85	65.6	2.58
DC494-14-08D66	1/2	7/8-14	25.4	1.00	45.2	1.78	66.0	2.60	75.6	2.98
DC494-14-10	5/8	7/8-14	25.4	1.00	40.6	1.60	34.0	1.34	72.1	2.84
DC494-14-10D66	5/8	7/8-14	25.4	1.00	50.6	1.99	66.0	2.60	82.1	3.23
DC494-14-12	3/4	7/8-14	25.4	1.00	53.0	2.09	40.0	1.57	89.4	3.52
DC494-17-08	1/2	1-1/16-12	31.8	1.25	39.2	1.54	46.0	1.81	69.6	2.74
DC494-17-10	5/8	1-1/16-12	31.8	1.25	50.6	1.99	48.0	1.89	82.1	3.23
DC494-17-12	3/4	1-1/16-12	31.8	1.25	52.3	2.06	53.0	2.09	88.7	3.49
DC494-17-12B	3/4	1-1/16-12	31.8	1.25	36.9	1.45	30.0	1.18	73.2	2.88
DC494-17-12D95	3/4	1-1/16-12	31.8	1.25	83.0	3.27	95.0	3.74	119.4	4.70
DC494-21-12	3/4	1-5/16-12	38.1	1.50	52.3	2.06	56.0	2.20	88.7	3.49
DC494-21-16	1"	1-5/16-12	38.1	1.50	66.6	2.62	70.0	2.76	110.5	4.35
DC494-21-16D110	1"	1-5/16-12	38.1	1.50	91.6	3.61	110.0	4.33	135.5	5.33
DC494-21-16H41	1"	1-5/16-12	41.0	1.61	66.6	2.62	70.0	2.76	110.5	4.35
DC494-26-16	1"	1-5/8-12	50.0	1.97	69.0	2.72	78.0	3.07	112.9	4.44
DC494-26-20	1-1/4	1-5/8-12	50.0	1.97	85.2	3.35	85.0	3.35	134.0	5.28
DC494-26-20D134	1-1/4	1-5/8-12	50.0	1.97	105.2	4.14	134.0	5.28	147.7	5.81
DC494-30-24	1-1/2	1-7/8-12	55.0	2.17	105.5	4.15	110.0	4.33	160.7	6.33
DC494-40-32	2"	2-1/2-12	73.0	2.87	139.8	5.50	136.0	5.35	197.7	7.78